



# User's Manual

## FlexScan® EV3285

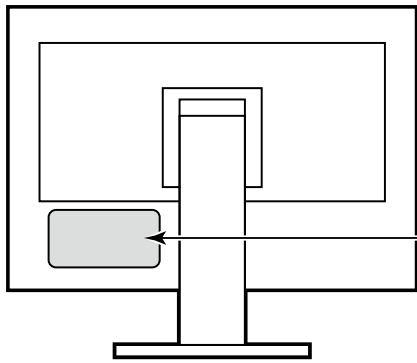
Color LCD Monitor

### Important

Please read this "User's Manual", and "PRECAUTIONS" (separate volume) carefully to familiarize yourself with safe and effective usage.

- 
- Refer to the "Setup Guide" for information on the installation / connection of the monitor.
  - For the latest product information including the "User's Manual", refer to our web site :  
<http://www.eizoglobal.com>
-

## Location of Caution Statement



  
**WARNING**  
RISK OF ELECTRIC SHOCK. DO NOT OPEN.

**AVERTISSEMENT**  
RISQUE DE CHOC ÉLECTRIQUE. NE PAS OUVRIR.

**WARNUNG**  
GEFAHR DES ELEKTRISCHEN SCHLAGES. RÜCKWAND NICHT ENTFERNEN.

**警告**  
触电危険，請勿打开后蓋。

**警告**  
感電の恐れあり，カバーをあけないでください。

The equipment must be connected to a grounded main outlet.  
L'appareil doit être relié à une prise avec terre.  
Jordet stikkontakt skal benyttes når apparatet tilkobles datanett.  
Apparaten skall anslutas till jordat nätuttag.  
设备必須连接到接地的电源插座。  
電源コードのアースは必ず接地してください。

This product has been adjusted specifically for use in the region to which it was originally shipped. If operated outside this region, the product may not perform as stated in the specifications.

No part of this manual may be reproduced, stored in a retrieval system, or transmitted, in any form or by any means, electronic, mechanical, or otherwise, without the prior written permission of EIZO Corporation. EIZO Corporation is under no obligation to hold any submitted material or information confidential unless prior arrangements are made pursuant to EIZO Corporation's receipt of said information. Although every effort has been made to ensure that this manual provides up-to-date information, please note that EIZO monitor specifications are subject to change without notice.

# Notice for this monitor

---

Aside from creating documents, viewing multimedia content, and other general purposes, this product is also suited to applications such as creating CAD data and other drawings (Assuming usage of approximately 12 hours per day).

If using this product for the following kinds of applications, where an extremely high degree of reliability and safety is required, then measures should be in place to maintain safety while using this product.

- Transportation equipment (ships, aircraft, trains, and automobiles)
- Safety devices (Disaster prevention systems, security control systems, etc.)
- Life-critical devices (medical devices, such as life-support devices and operating room devices)
- Nuclear energy control devices (Nuclear energy control systems, security control systems of nuclear facilities, etc.)
- Major system communication devices (operation control systems of transportation systems, air traffic control systems, etc.)

---

This product has been adjusted specifically for use in the region to which it was originally shipped. If the product is used outside the region, it may not operate as specified in the specifications.

---

This product may not be covered by warranty for uses other than those described in this manual.

---

The specifications noted in this manual are only applicable when the following are used:

- Power cords provided with the product
- Signal cables specified by us

---

Only use optional products manufactured or specified by us with this product.

---

If you place this product on a lacquer-coated desk, the color may adhere to the bottom of the stand due to the composition of the rubber. Check the desk surface before use.

---

It takes about 30 minutes (under our measurement conditions) for the monitor display to stabilize. Please wait 30 minutes or more after the monitor power has been turned on, and then adjust the monitor.

---

Monitors should be set to a lower brightness to reduce changes in luminosity caused by long-term use and maintain a stable display.

---

When the screen image is changed after displaying the same image for extended periods of time, an afterimage may appear. Use the screen saver or power save function to avoid displaying the same image for extended periods of time. Depending on the image, an afterimage may appear even if it was displayed for a short period of time. To remove such a phenomenon, change the image or keep the power turned off for several hours.

---

If the monitor displays continuously over a long period of time, dark smudges or burn-in may appear. To maximize the life of the monitor, we recommend the monitor be turned off periodically.

---

Periodic cleaning is recommended to keep the monitor looking new and to prolong its operation lifetime (refer to [“Cleaning” \(page 4\)](#)).

---

The LCD panel is manufactured using high-precision technology. Although, missing pixels or lit pixels may appear on the LCD panel, this is not a malfunction. Percentage of effective dots: 99.9994 % or higher.

---

The backlight of the LCD panel has a fixed lifetime. Depending on the usage pattern, such as usage for long continuous periods, the lifespan of the backlight may run out sooner, requiring replacement. When the screen becomes dark or begins to flicker, please contact your local EIZO representative.

---

Do not press on the LCD panel or edge of the frame strongly, as this may result in display malfunctions, such as interference patterns, etc. If pressure is continuously applied to the LCD panel surface, the liquid crystal may deteriorate or the LCD panel may be damaged. (If the pressure marks remain on the panel, leave the monitor with a black or white screen. The symptom may disappear.)

---

Do not scratch or press on the LCD panel with any sharp objects, at this may result in damage to the LCD panel. Do not attempt to brush with tissues as this may scratch the panel.

---

When the monitor is cold and brought into a room or the room temperature goes up quickly, dew condensation may occur on the interior and exterior surfaces of the monitor. In that case, do not turn the monitor on. Instead wait until the dew condensation disappears, otherwise it may cause some damage to the monitor.

---

---

## Cleaning

---

The stains on the cabinet and LCD panel surface can be removed by moistening part of a soft cloth with water.

### **Attention**

- Chemicals such as alcohol and antiseptic solution may cause gloss variation, tarnishing, and fading of the cabinet or LCD panel, and also quality deterioration of the image.
- Never use thinner, benzine, wax, or abrasive cleaner as they may damage the cabinet or LCD panel surface.

### **Note**

- It is recommended that ScreenCleaner (available as an option) be used to clean the cabinet and LCD panel surface.
- 

## To use the monitor comfortably

---

- An excessively dark or bright screen may affect your eyes. Adjust the brightness of the monitor according to the environmental conditions.
- Staring at the monitor for a long time tires your eyes. Take a 10-minute rest every hour.

# CONTENTS

<b>Notice for this monitor .....</b>	<b>3</b>	<b>Chapter 5 Troubleshooting.....</b>	<b>34</b>
Cleaning .....	4	5-1. No Picture .....	34
To use the monitor comfortably .....	4	5-2. Imaging Problems.....	35
<b>CONTENTS.....</b>	<b>5</b>	5-3. Other Problems .....	36
<b>Chapter 1 Introduction.....</b>	<b>6</b>	<b>Chapter 6 Reference .....</b>	<b>37</b>
<b>1-1. Features .....</b>	<b>6</b>	<b>6-1. Attaching the Optional Arm.....</b>	<b>37</b>
● Support for DisplayPort over USB Type-C (DP Alt Mode) / USB Power Delivery.....	6	● Attaching the optional arm (or optional stand) .....	38
● High Degree of Flexibility for Installation .....	7	● Attaching the original stand .....	38
● Reduction of Power Consumption .....	7	<b>6-2. Detaching/Attaching the Cable Holder.....</b>	<b>39</b>
● Realizing More Convenient Operations Using Screen InStyle .....	7	● Detaching the cable holder .....	39
<b>1-2. Controls and Functions .....</b>	<b>8</b>	● Attaching the cable holder .....	39
● Front .....	8	<b>6-3. Detaching / Attaching the Cable Cover ....</b>	<b>40</b>
● Rear.....	9	● Attaching the cable cover.....	40
<b>1-3. Supported Resolutions .....</b>	<b>10</b>	● Detaching the cable cover .....	41
● For DisplayPort .....	10	<b>6-4. Connecting Multiple PCs .....</b>	<b>42</b>
● For HDMI.....	11	● Connection examples .....	42
● For USB-C.....	12	<b>6-5. Using the USB Hub Function.....</b>	<b>43</b>
<b>1-4. Changing the Computer Display Settings ...</b>	<b>13</b>	● Connection procedure.....	43
● Windows 10.....	13	<b>6-6. Specifications .....</b>	<b>44</b>
● Windows 8.1 / Windows 7 .....	13	● Accessories.....	45
● macOS .....	13	<b>Appendix.....</b>	<b>46</b>
<b>Chapter 2 Basic Adjustment / Setting .....</b>	<b>14</b>	<b>Trademark .....</b>	<b>46</b>
<b>2-1. Switch Operation Method .....</b>	<b>14</b>	<b>License .....</b>	<b>46</b>
<b>2-2. Switching Input Signals .....</b>	<b>15</b>	<b>ENERGY STAR.....</b>	<b>46</b>
● PbyP display.....	15	<b>FCC Declaration of Conformity .....</b>	<b>47</b>
● PinP display.....	17		
<b>2-3. Switching Display Modes (Color Modes)...</b>	<b>18</b>		
● Display Modes.....	18		
<b>2-4. Conserving Energy.....</b>	<b>19</b>		
<b>2-5. Adjusting Brightness .....</b>	<b>21</b>		
<b>2-6. Adjusting Volume.....</b>	<b>21</b>		
<b>Chapter 3 Advanced Adjustment / Setting ....</b>	<b>22</b>		
<b>3-1. Basic Operation of the Setting Menu .....</b>	<b>22</b>		
<b>3-2. Setting Menu Functions .....</b>	<b>23</b>		
● Color Adjustment.....	23		
● Signal Settings .....	26		
● Preference Settings .....	28		
● Language .....	29		
● Information .....	30		
<b>Chapter 4 Administrator Settings.....</b>	<b>31</b>		
<b>4-1. Basic Operation of the “Administrator     Settings” Menu.....</b>	<b>31</b>		
<b>4-2. Functions of the “Administrator     Settings” Menu.....</b>	<b>32</b>		

# Chapter 1 Introduction

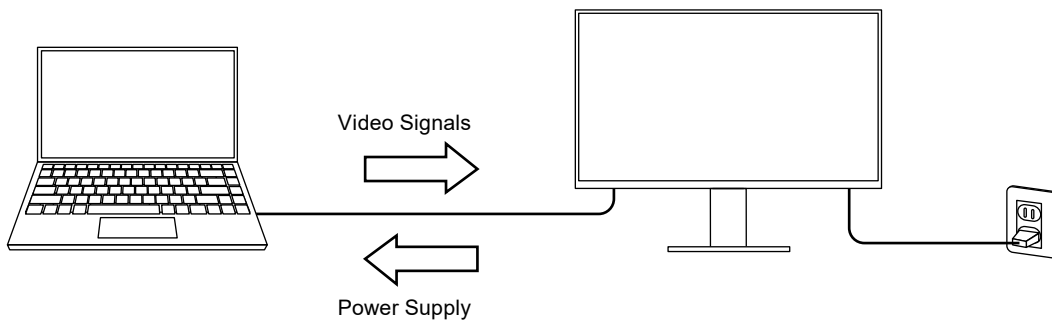
Thank you very much for choosing an EIZO color LCD monitor.

## 1-1. Features

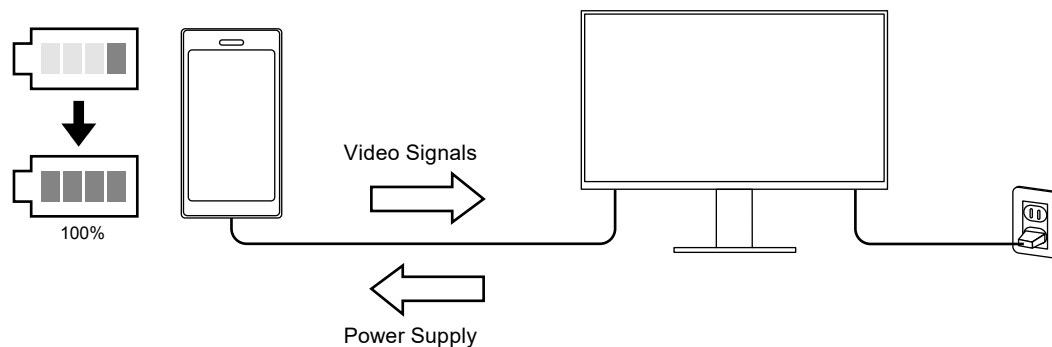
### ● Support for DisplayPort over USB Type-C (DP Alt Mode) / USB Power Delivery

This product is equipped with a USB Type-C (USB-C) connector compatible with DP Alt Mode and USB Power Delivery.

- While being used as an external monitor of a notebook PC, this product can supply power to the PC.



- While displaying photos and motion pictures from a smartphone or tablet, this product can charge the device.



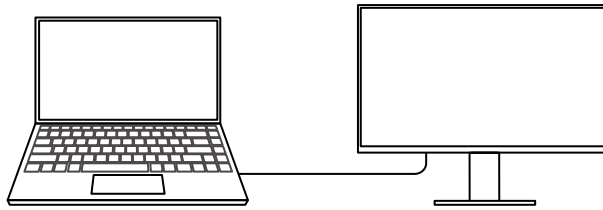
---

#### Note

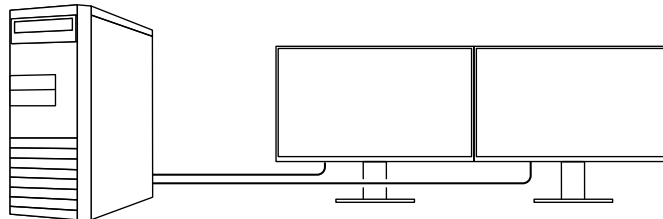
- Devices to be connected must be equipped with a USB-C connector, and support the charging function based on USB-C or USB Power Delivery.
  - The device connected to the monitor can be charged even when the monitor is in power saving mode.
  - Even when the monitor is turned off with the main power turned on, the connected device can be recharged. In this case, the "Compatibility Mode" needs to be left "On". For details about how to modify the settings, please refer to ["4-1. Basic Operation of the "Administrator Settings" Menu" \(page 31\)](#).
-

## ● High Degree of Flexibility for Installation

- This product can be used as an external monitor of a notebook computer.

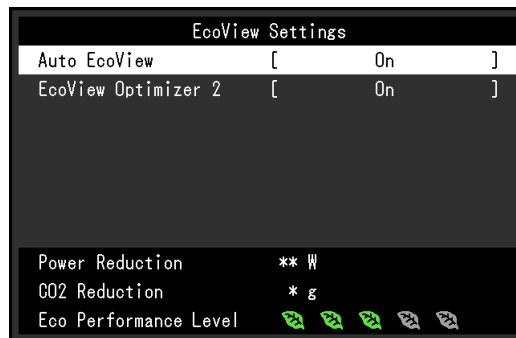


- This product can be used in a multi-monitor configuration in which multiple monitors are connected to a single PC.



## ● Reduction of Power Consumption

This product provides a function that automatically adjusts the screen brightness to reduce power consumption <sup>\*1</sup>. Power Reduction, CO<sub>2</sub> Reduction, and Eco Performance Level can be checked on the "EcoView Settings" menu. (page 19)



- Auto EcoView  
The ambient light sensor on the front of the monitor detects the ambient brightness to automatically adjust the screen brightness to a comfortable level.
- EcoView Optimizer 2  
The monitor automatically adjusts the screen brightness according to the white level of the input signal. This function can reduce power consumption while maintaining the brightness specified by the input signal.

\*1 Reference values

Maximum power consumption: 163 W (when a USB device is connected and the speakers are working),  
standard power consumption: 32 W (brightness 120 cd/m<sup>2</sup>, when no USB device is connected and the speakers are not working, at default settings)

## ● Realizing More Convenient Operations Using Screen InStyle

The "Screen InStyle" monitor control utility enables you to use the monitor more conveniently.

- The monitor color mode can be switched automatically to suit the software to be used.
- When multiple monitors are installed, you can turn the power on and off or change the color mode of all monitors at the same time.

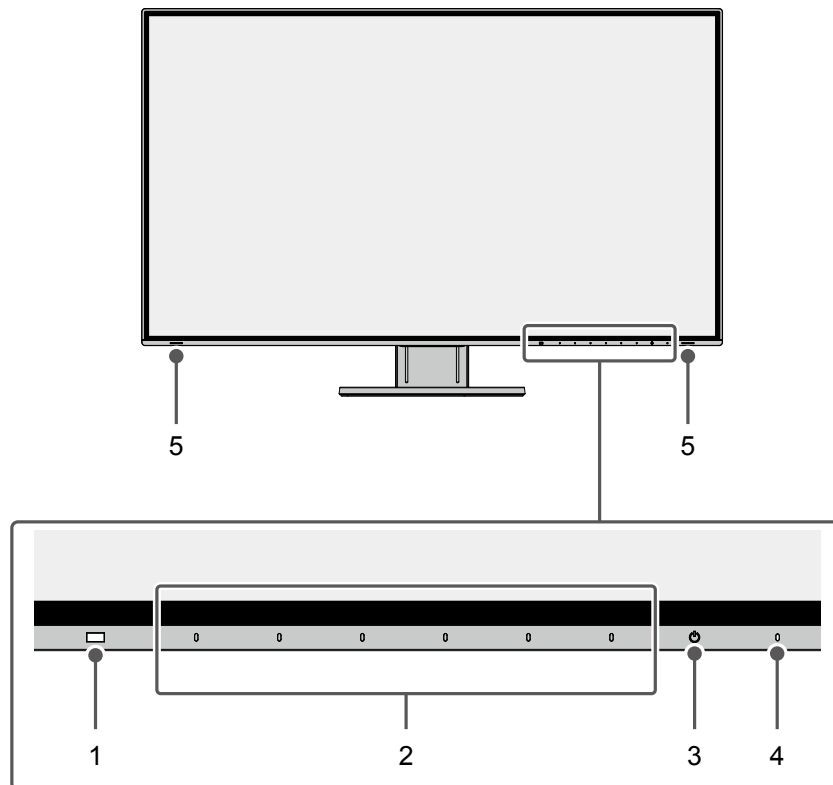
---

### Note

- Screen InStyle can be downloaded from our web site (<http://www.eizoglobal.com>).
  - The Windows operating systems are only supported.
-

## 1-2. Controls and Functions

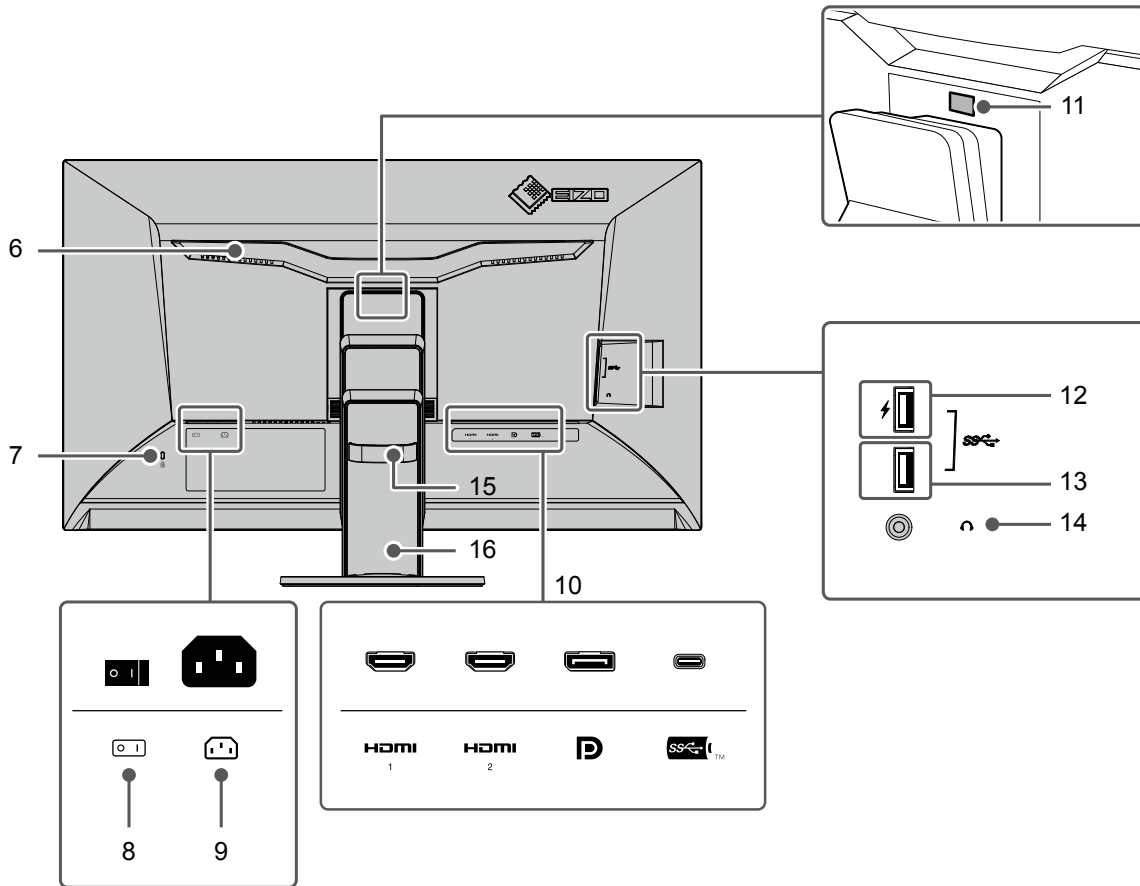
### ● Front



<b>1. Ambient light sensor</b>	Detects ambient brightness. If you use Auto EcoView, the screen brightness is automatically adjusted according to the ambient brightness ( <a href="#">page 20</a> ).
<b>2. Operation switches</b>	Displays menus. Operate the switches according to the operation guide ( <a href="#">page 22</a> ).
<b>3. Power switch</b>	Turns the power on or off.
<b>4. Power indicator</b>	Indicates the monitor's operation status. White: Normal operation mode Orange: Power saving mode OFF: Main power / power off
<b>5. Speakers</b>	Outputs audio.



## ● Rear



<b>6. Handle</b>	This handle is used for transportation.
<b>7. Security lock slot</b>	Complies with Kensington's MicroSaver security system.
<b>8. Main power switch</b>	Turns the main power on or off.   : On, ○ : Off
<b>9. Power connector</b>	Connects the power cord.
<b>10. Input signal connectors</b>	The following connectors are available on the monitor rear in order of left to right. HDMI connector (1) HDMI connector (2) DisplayPort connector USB-C connector (USB upstream port)
<b>11. Lock button</b>	Use this button to remove the monitor from the stand.
<b>12. USB downstream port (support for boost charging)</b>	Connects to a peripheral USB device. (page 28)
<b>13. USB downstream port</b>	Connects to a peripheral USB device.
<b>14. Headphone jack</b>	Connects to headphones.
<b>15. Cable holder</b>	Holds the monitor cables.
<b>16. Stand*1</b>	Adjusts the height and angle (tilt and swivel) of the monitor.

\*1 An optional arm (or optional stand) can be attached by removing the stand section (see "6-1. Attaching the Optional Arm" (page 37)).

## 1-3. Supported Resolutions

The monitor supports the following resolutions.

### ● For DisplayPort

Resolution	Vertical scan frequency (Hz)	Single screen and PinP display <sup>*1</sup>		PbyP display	
		Version 1.2	Version 1.1	Dual screen display	Quad screen display
720 × 400	70.087	√	√	√	√
640 × 480	59.940	√	√	√	√
640 × 480	60.000	√	√	√	√
800 × 600	60.317	√	√	√	√
1024 × 768	60.004	√	√	√	√
1280 × 720	59.855	√	√	√	√
1280 × 720	59.979	√	√	√	√
1280 × 800	59.810	√	√	√	√
1280 × 800	59.910	√	√	√	√
1280 × 1024	60.020	√	√	√	√
1600 × 900	60.000	√	√	√	√
1600 × 1200	60.000	√	√	√	√
1680 × 1050	59.954	√	√	√	√
1680 × 1050	59.883	√	√	√	√
1920 × 1200	59.885	√	√	√	-
1920 × 1200	59.950	√	√	√	-
2560 × 1440	59.951	√	√	-	-
1280 × 1600	59.910	-	-	√	-
3840 × 2160	59.997	√ <sup>*2</sup>	-	-	-
3840 × 2160	29.981	√	√ <sup>*2</sup>	-	-
1920 × 2160	59.988	-	-	√ <sup>*2</sup>	-
1280 × 720	60.000	√	√	√	√
1280 × 720	59.940	√	√	√	√
1920 × 1080	60.000	√	√	√	√
1920 × 1080	59.940	√	√	√	√
1920 × 1080	30.000	√	√	√	√
1920 × 1080	29.970	√	√	√	√
720 × 480	60.000	√	√	√	√
720 × 480	59.940	√	√	√	√
720 × 480	60.000	√	√	√	√
720 × 480	59.940	√	√	√	√

\*1 Supported signals differ depending on the settings in “Administrator Settings”. For information on how to change the settings, see “4-2. Functions of the “Administrator Settings” Menu” (page 32).

\*2 This is the recommended resolution.

## ● For HDMI

Resolution	Vertical scan frequency (Hz)	Single screen and PinP display <sup>*1</sup>		PbyP display	
		4K UHD 60Hz	4K UHD 30Hz	Dual screen display	Quad screen display
720 × 400	70.087	√	√	√	√
640 × 480	59.940	√	√	√	√
640 × 480	60.000	√	√	√	√
800 × 600	60.317	√	√	√	√
1024 × 768	60.004	√	√	√	√
1280 × 720	59.855	√	√	√	√
1280 × 720	59.979	√	√	√	√
1280 × 800	59.810	√	√	√	√
1280 × 800	59.910	√	√	√	√
1280 × 1024	60.020	√	√	√	√
1600 × 900	60.000	√	√	√	√
1600 × 1200	60.000	√	√	√	√
1680 × 1050	59.954	√	√	√	√
1680 × 1050	59.883	√	√	√	√
1920 × 1200	59.885	√	√	√	-
1920 × 1200	59.950	√	√	√	-
2560 × 1440	59.951	√	√	-	-
1280 × 1600	59.910	-	-	√	-
3840 × 2160	59.997	√	-	-	-
3840 × 2160	29.981	√	√	-	-
1920 × 2160	59.988	-	-	√ <sup>*2</sup>	-
1920 × 2160	29.952	-	-	√	-
1280 × 720	60.000	√	√	√	√
1280 × 720	59.940	√	√	√	√
1280 × 720	50.000	√	√	√	√
1920 × 1080	60.000	√	√	√	√
1920 × 1080	59.940	√	√	√	√
1920 × 1080	50.000	√	√	√	√
1920 × 1080	30.000	√	√	√	√
1920 × 1080	29.970	√	√	√	√
720 × 480	60.000	√	√	√	√
720 × 480	59.940	√	√	√	√
720 × 480	60.000	√	√	√	√
720 × 480	59.940	√	√	√	√
720 × 576	50.000	√	√	√	√
720 × 576	50.000	√	√	√	√
3840 × 2160	60.000	√ <sup>*2</sup>	-	-	-
3840 × 2160	59.940	√ <sup>*2</sup>	-	-	-
3840 × 2160	50.000	√	-	-	-
3840 × 2160	30.000	√	√ <sup>*2</sup>	-	-
3840 × 2160	29.970	√	√ <sup>*2</sup>	-	-

\*1 Supported signals differ depending on the settings in “Administrator Settings”. For information on how to change the settings, see [“4-2. Functions of the “Administrator Settings” Menu”](#) (page 32).

\*2 This is the recommended resolution.

## ● For USB-C

Resolution	Vertical scan frequency (Hz)	Single screen and PinP display <sup>*1</sup>		PbyP display	
		4K UHD 60Hz / USB2.0	4K UHD 30Hz / USB3.1	Dual screen display	Quad screen display
720 × 400	70.087	√	√	√	√
640 × 480	59.940	√	√	√	√
640 × 480	60.000	√	√	√	√
800 × 600	60.317	√	√	√	√
1024 × 768	60.004	√	√	√	√
1280 × 720	59.855	√	√	√	√
1280 × 720	59.979	√	√	√	√
1280 × 800	59.810	√	√	√	√
1280 × 800	59.910	√	√	√	√
1280 × 1024	60.020	√	√	√	√
1600 × 900	60.000	√	√	√	√
1600 × 1200	60.000	√	√	√	√
1680 × 1050	59.954	√	√	√	√
1680 × 1050	59.883	√	√	√	√
1920 × 1200	59.885	√	√	√	-
1920 × 1200	59.950	√	√	√	-
2560 × 1440	59.951	√	√	-	-
1280 × 1600	59.910	-	-	√	-
3840 × 2160	59.997	√ <sup>*2</sup>	-	-	-
3840 × 2160	29.981	√	√ <sup>*2</sup>	-	-
1920 × 2160	59.988	-	-	√ <sup>*2</sup>	-
1280 × 720	60.000	√	√	√	√
1280 × 720	59.940	√	√	√	√
1920 × 1080	60.000	√	√	√	√
1920 × 1080	59.940	√	√	√	√
1920 × 1080	30.000	√	√	√	√
1920 × 1080	29.970	√	√	√	√
720 × 480	60.000	√	√	√	√
720 × 480	59.940	√	√	√	√
720 × 480	60.000	√	√	√	√
720 × 480	59.940	√	√	√	√

\*1 Supported signals differ depending on the settings in “Administrator Settings”. For information on how to change the settings, see “4-2. Functions of the “Administrator Settings” Menu” (page 32).

\*2 This is the recommended resolution.

### Note

- Only the progressive scan type is supported.

## 1-4. Changing the Computer Display Settings

If the image is not displayed properly after connecting the monitor to a PC, follow the procedure below to change the display settings on the computer.

### ● Windows 10

1. Right-click the mouse anywhere on the desktop except on icons. A menu is displayed.
2. From the displayed menu, click “Display Settings”. The “Settings” screen is displayed.
3. If multiple monitors, including notebook PC screens, are connected to the computer, select “Extend these displays” in the “Multiple displays” menu, and then click “Keep changes” on the confirmation screen. After changing the settings, select a monitor in the “Select and rearrange displays” menu.
4. Select the “Make this my main display” option in the “Multiple displays” menu. This enables the monitor to display images properly.
5. Confirm that the recommended resolution for the monitor is set in the “Resolution” menu. (“(Recommended)” is displayed after the resolution.)
6. To change the size of text and icons, select a magnification in the menu of zoom percentages according to personal preference.
7. If a message prompting you to sign out is displayed after changing the settings, sign out and then sign in again.

### ● Windows 8.1 / Windows 7

\* For Windows 8.1, click the “Desktop” tile on the Start Screen to display the desktop.

1. Right-click the mouse anywhere on the desktop except on icons. A menu is displayed.
2. From the displayed menu, click “Screen resolution”. The settings screen is displayed.
3. If multiple monitors, including notebook PC screens, are connected to the computer, select “Extend these displays” in the “Multiple displays” menu, and then click “Apply”. Click “Keep changes” on the confirmation screen.
4. Select a monitor in the “Display” menu, and then select the “Make this my main display” option and click “Apply”. This enables the monitor to display images properly.
5. Confirm that the recommended resolution for the monitor is set in the “Resolution” menu. (“(recommended)” is displayed after the resolution.)
6. To change the size of text and icons, click “Make text and other items larger or smaller”, select a size according to personal preference on the settings screen, and then click “Apply”.
7. If a message prompting you to sign out/log off is displayed after changing the settings, sign out/log off and then sign in/log in again.

### ● macOS

1. Select “System Preferences” from the Apple menu.
2. When the “System Preferences” panel is displayed, click “Displays”.
3. If multiple monitors, including notebook PC screens, are connected to the computer, make sure that “Mirror Displays” is not selected on the “Arrangement” tab. If it is selected, remove the check mark.
4. Select the “Display” tab, and make sure that “Default for display” is selected for “Resolution”. If it is not selected, add a check mark. The correct resolution has now been set for your display. Close the “System Preferences” panel. If multiple monitors, including notebook PC screens, are connected to the computer, configure these settings in “Display” on each monitor.
5. To select a resolution according to personal preference, select “Scaled” and then select a resolution (either from a list or icons), and then close the panel.

# Chapter 2 Basic Adjustment / Setting

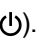
This product enables users to change the brightness according to personal preference or to suit the usage environment and reduce power consumption to conserve energy.

This chapter describes the basic functions that can be adjusted and set using the switches on the front of the monitor.

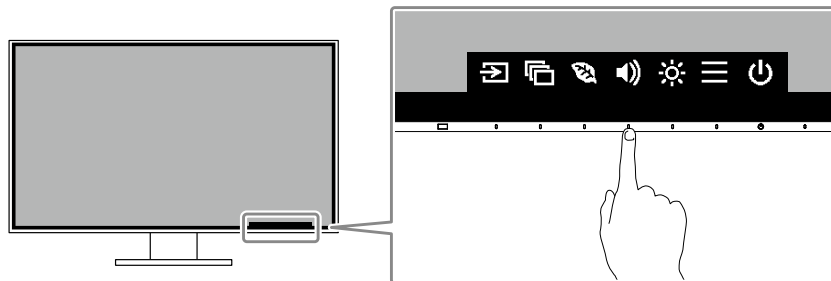
For advanced adjustment and setting procedures using the Setting menu, see “[Chapter 3 Advanced Adjustment / Setting](#)” (page 22).

## 2-1. Switch Operation Method

### 1. Displaying the operation guide

1. Touch any switch (except .




The operation guide appears on the screen.



### 2. Adjusting / setting


1. Touch a switch for adjustment / setting.

The Adjustment / Setting menu appears.

(A submenu may also be displayed. In this case, select the item for adjustment / setting using   and select .

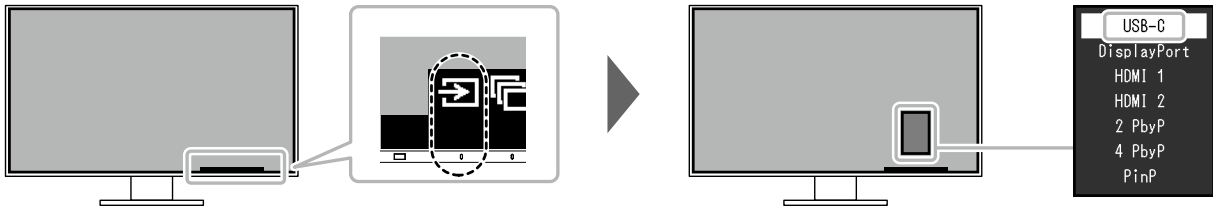
2. Perform adjustment / setting with the switches and select  to accept the changes.

### 3. Exiting

1. Select  to exit the menu.

## 2-2. Switching Input Signals

When a monitor has multiple signal inputs, the signal to display on-screen can be changed.



### Note

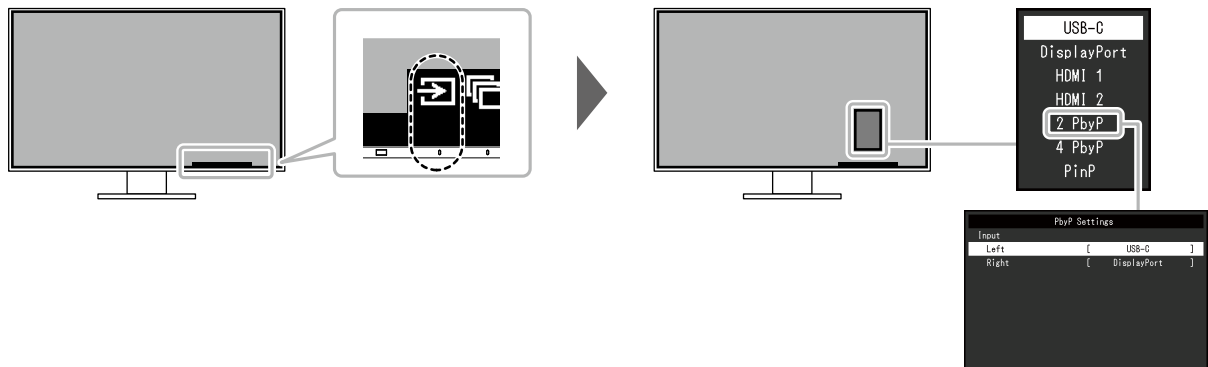
- "Screen InStyle" allows you to switch input signals using the shortcut keys on the keyboard.

### ● PbyP display

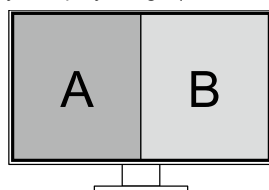
By selecting PbyP (Picture by Picture) display when a monitor has multiple input signals, windows can be displayed side-by-side (dual screen) or side-by-side and above-and-below (quad screen).

Because multiple windows can be displayed on a single monitor, the need for changing between signals is eliminated, which leads to increased work efficiency.

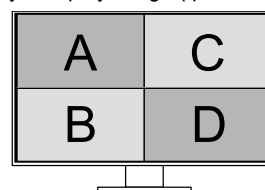
By selecting PbyP display, the combination of signals to display on the left and right windows or quad screen can be switched.



PbyP display image (dual screen)



PbyP display image (quad screen)



Function		Setting Value	Description	
PbyP Settings	Input	Left	USB-C DisplayPort HDMI 1 HDMI 2	Select an input signal to be displayed on the left screen of the PbyP display (dual screen).
		Right	USB-C DisplayPort HDMI 1 HDMI 2	Select an input signal to be displayed on the right screen of the PbyP display (dual screen).
		Upper Left	USB-C DisplayPort HDMI 1 HDMI 2	Select an input signal to be displayed on the upper left screen of the PbyP display (quad screen).
		Lower Left	USB-C DisplayPort HDMI 1 HDMI 2	Select an input signal to be displayed on the lower left screen of the PbyP display (quad screen).
		Upper Right	USB-C DisplayPort HDMI 1 HDMI 2	Select an input signal to be displayed on the upper right screen of the PbyP display (quad screen).
		Lower Right	USB-C DisplayPort HDMI 1 HDMI 2	Select an input signal to be displayed on the lower right screen of the PbyP display (quad screen).

**Note**

- You cannot set the same input signal for multiple screens. Therefore, when changing the input signal for a screen, if you select an input signal that has already been set for another screen, the signals are switched automatically.

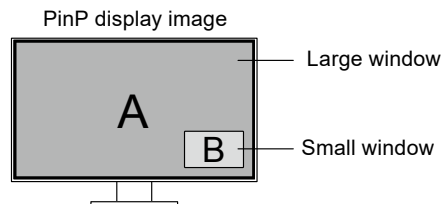
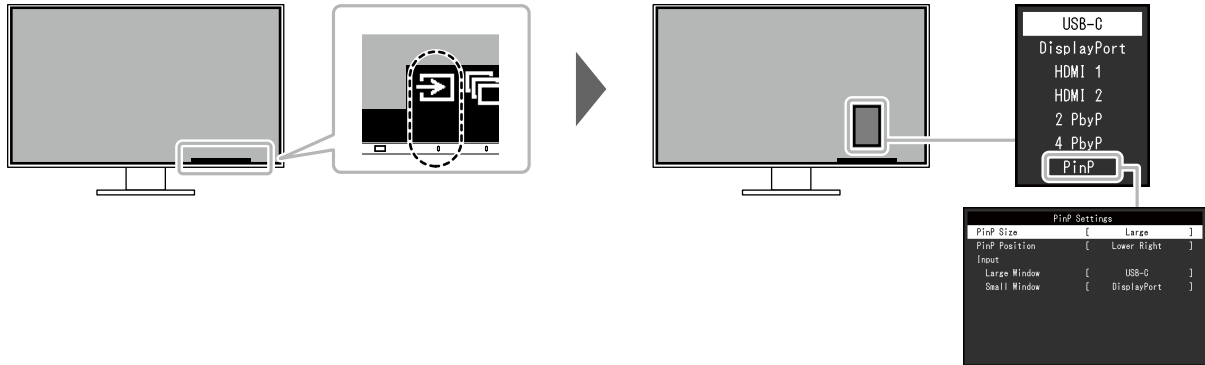


## ● PinP display

By selecting PinP (Picture in Picture) display when a monitor has multiple input signals, a large window and a small window can be displayed.

Because multiple windows can be displayed on a single monitor, the need for changing between signals is eliminated, which leads to increased work efficiency.

By selecting PinP display, the combination of the signals to display on the large and small windows can be switched.



Function		Setting Value	Description	
PinP Settings	PinP Size	Large Small	Select the size of the small window.	
	PinP Position	Upper Left Lower Left Upper Right Lower Right	Select the position of the small window.	
	Input	Large Window	USB-C DisplayPort HDMI 1 HDMI 2	Select the input signal for the large window.
		Small Window	USB-C DisplayPort HDMI 1 HDMI 2	Select the input signal for the small window.

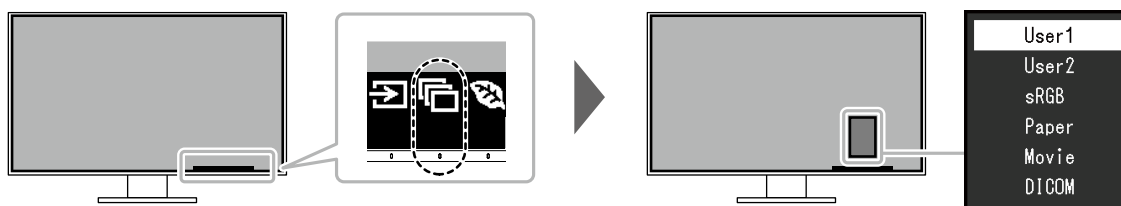
### Note

- You cannot set the same input signal for the large and small windows. Therefore, when changing the input signal for the large window, if you select the input signal that has already been set for the small window, the input signals for the large and small windows are switched automatically.

## 2-3. Switching Display Modes (Color Modes)

This product is preinstalled with color modes for various display purposes.

By switching the mode according to the purpose and contents of the display, you can display images in an appropriate manner.



### ● Display Modes

Color Mode	Purpose
User1 User2	Select either of these modes to set a user-defined display mode.
sRGB	This mode is suitable for matching color reproduction with peripheral devices that support sRGB, such as when printing photos taken using a digital camera.
Paper	This mode uses color tones and contrast similar to that of paper to produce a printed paper effect. It is suitable for displaying images from media such as books and documents.
Movie	This mode displays moving images brightly and with a clear-cut three-dimensional appearance. It is suitable for playing back video content.
DICOM	Select this mode to simply display medical purpose digital images based on DICOM Part 14. <b>Attention</b> <ul style="list-style-type: none"><li>• This is not intended to be used for diagnostic purposes.</li></ul>

#### Note

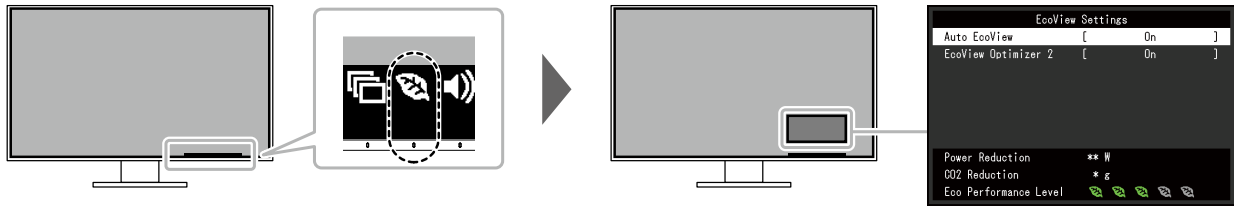
- "Screen InStyle" allows you to select the color mode automatically according to the software in use.
- In Paper mode, the amount of blue light emitted from the screen is reduced by changing the color tone and controlling the brightness.

## 2-4. Conserving Energy

This monitor is equipped with EcoView functions to enable users to conserve energy.

You can use this function to curtail unnecessary power consumption and save on electricity expenses.


Saving power also reduces carbon dioxide emissions.



---

### Note

- The power saving level (Power Reduction, CO<sub>2</sub> Reduction, and Eco Performance Level) can be checked on the “EcoView Settings” menu. The more indicators that light up representing the Eco Performance Level, the higher the power saving level attained.
    - Power Reduction: the reduction in the backlight’s power consumption as a result of the adjusted brightness value.
    - CO<sub>2</sub> Reduction: converted from the “Power Reduction” value, this is an estimate of the quantity of CO<sub>2</sub> emissions reduced when using the monitor for 1 hour.
  - The numeric value is a result of calculation based on a default setting (0.000555t-CO<sub>2</sub> / kWh) determined by a Japanese ministerial ordinance (2006, Ministry of Economy, Trade and Industry, Ministry of Environment, civil code article 3) and may differ depending on country and year.
-

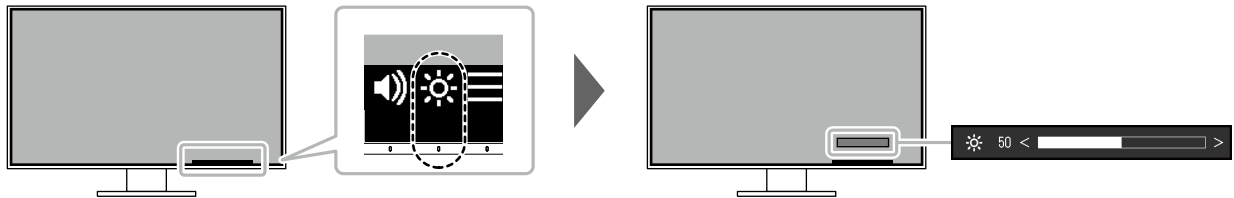
Function	Setting Value	Description
Auto EcoView	On Off	<p>The ambient light sensor on the front of the monitor detects the ambient brightness to automatically adjust the screen brightness to a comfortable level using Auto EcoView. The power consumption of the backlight can be curtailed by adjusting the brightness to an appropriate level.</p> <p>This function can also mitigate eye strain and tiredness caused by a screen that is too bright or too dark.</p> <p><b>Note</b></p> <ul style="list-style-type: none"> <li>• Be careful not to block the ambient light sensor on the lower side of the monitor when using Auto EcoView.</li> <li>• Even when the Auto EcoView setting is “On”, the  operation switch on the front of the monitor or color adjustment can be used to change the “Brightness” to suit your personal preference. Moreover, the manner in which the Auto EcoView function changes brightness also differs according to the changed value.</li> <li>• When “DICOM” is selected for the color mode, the Auto EcoView setting is turned “Off”.</li> </ul>
EcoView Optimizer 2	On Off	<p>The monitor automatically adjusts the screen brightness according to the white level of the input signal. This function can reduce power consumption while maintaining the brightness specified by the input signal.</p> <p><b>Note</b></p> <ul style="list-style-type: none"> <li>• The setting is turned “Off” in the following cases: <ul style="list-style-type: none"> <li>- When “Movie” or “DICOM” is selected for the color mode</li> <li>- During PbyP/PinP display</li> </ul> </li> <li>• When set to “On”, the appearance of pale colors may change. If this bothers you, set this function to “Off”.</li> </ul>

## 2-5. Adjusting Brightness

The brightness of the screen can be adjusted to suit the installation environment or personal preference. The screen brightness is adjusted by changing the brightness of the backlight (light source from the LCD back panel).

### Setting Value

0 to 100

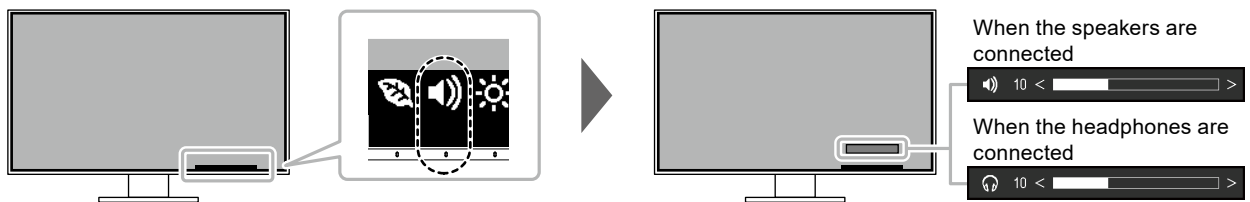


## 2-6. Adjusting Volume

The volume of the speakers and headphones can be set individually.

### Setting Value

0 to 30

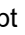



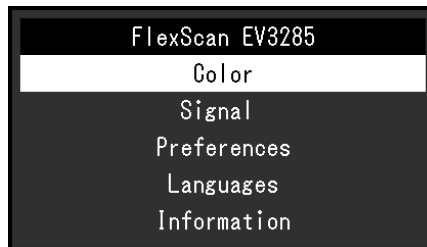
# Chapter 3 Advanced Adjustment / Setting

This chapter describes the advanced monitor adjustment and setting procedures using the Setting menu. For basic functions, see “Chapter 2 Basic Adjustment / Setting” (page 14).




## 3-1. Basic Operation of the Setting Menu

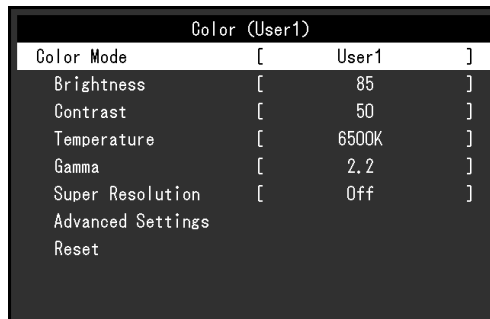
### 1. Menu display




1. Touch any switch (except )  
The operation guide appears.
2. Select   
The Setting menu appears.









### 2. Adjusting / setting

1. Select a menu to adjust / set with   and select   
The Sub menu appears.




2. Select an item to adjust / set with   and select   
The Adjustment / Setting menu appears.



3. Perform adjustment / setting with   or   and select  to accept the changes.  
The Sub menu appears.  
Selecting  during adjustment / setting will cancel the adjustment / setting and restore the state prior to making changes.

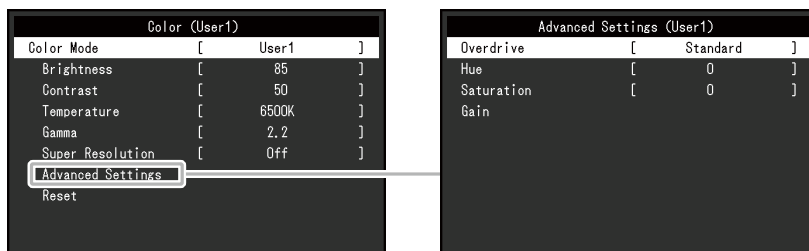
### 3. Exiting

1. Selecting  several times will terminate the Setting menu.

## 3-2. Setting Menu Functions

### ● Color Adjustment

The color mode setting status can be adjusted according to personal preference.



Functions that can be adjusted differ depending on the color mode.

√: Adjustable - : Not adjustable

Function	Color Mode				
	User1 User2	sRGB	Paper	Movie	DICOM
Brightness	√	√	√	√	-
Contrast	√	-	-	√	-
Temperature	√	-	√	√	-
Gamma	√	-	-	-	-
Super Resolution	√	-	√	√	-
Advanced Settings	Overdrive	√	-	-	-
	Hue	√	-	-	√
	Saturation	√	-	-	√
	Gain	√	-	-	-
Reset	√	√	√	√	-

#### Attention

- It takes about 30 minutes for the monitor display to stabilize. Please wait 30 minutes or more after power to the monitor has been turned on before adjusting the monitor.
- The same image may be observed in different colors on multiple monitors due to monitor-specific characteristics. Make fine color adjustments visually when matching colors across multiple monitors.

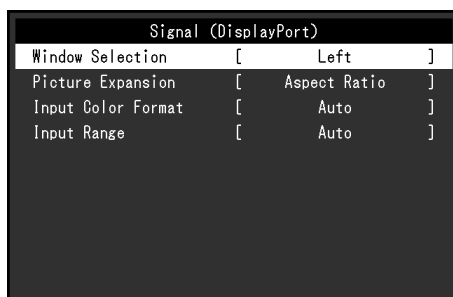
Function	Setting Value	Description
Color Mode	User1 User2 sRGB Paper Movie DICOM	Select the desired mode according to the monitor application. The color setting status can also be adjusted according to personal preference. Select the mode for adjustment and perform adjustment using the relevant functions. <b>Note</b> <ul style="list-style-type: none"> <li>For details on the adjustment status of each mode, see “2-3. Switching Display Modes (Color Modes)” (page 18).</li> </ul>
Brightness	0 to 100	The screen brightness is adjusted by changing the brightness of the backlight (light source from the LCD back panel). <b>Note</b> <ul style="list-style-type: none"> <li>If the image is too dark even when the brightness is set to 100, adjust the contrast.</li> </ul>
Contrast	0 to 100	The brightness of the screen is adjusted by varying the video signal level. <b>Note</b> <ul style="list-style-type: none"> <li>A contrast of 50 displays every color gradation.</li> <li>When adjusting the monitor, it is recommended to perform brightness adjustment, which does not lose gradation characteristics, prior to contrast adjustment.</li> <li>Perform contrast adjustment in the following cases. <ul style="list-style-type: none"> <li>If the image is too dark even when the brightness is set to 100 (Set the contrast to higher than 50.)</li> </ul> </li> </ul>
Temperature	Off 4000 K to 10000 K (in increments of 500 K. 9300 K is included.)	Adjust the color temperature. The color temperature is normally used to express the hue of “White” and/or “Black” with a numerical value. The value is expressed in degrees “K” (Kelvin). The screen becomes reddish at low color temperatures and bluish at high color temperatures, similar to the temperatures of a flame. A gain preset value is set for each color temperature setting value. <b>Note</b> <ul style="list-style-type: none"> <li>The value shown in “K” is available only as a reference.</li> <li>“Gain” allows you to perform more advanced adjustment.</li> <li>If set to “Off”, the image is displayed in the preset color of the monitor (Gain: 100 for each RGB channel).</li> <li>When the gain is changed, the color temperature setting changes to “Off”.</li> </ul>
Gamma	1.8 2.0 2.2 2.4	Adjust the gamma. While the brightness of the monitor varies depending on the input signal, the variation rate is not proportional to the input signal. Maintaining the balance between the input signal and brightness of the monitor is referred to as “Gamma correction”. <b>Note</b> <ul style="list-style-type: none"> <li>If “sRGB” is selected for the color mode, the gamma value is fixed to “sRGB”.</li> <li>If “Paper” is selected for the color mode, “Paper” is displayed for the gamma value.</li> <li>If “DICOM” is selected for the color mode, “DICOM” is displayed for the gamma value.</li> </ul>
Super Resolution	Standard Low Off	Image blur can be reduced by enhancing its outline.



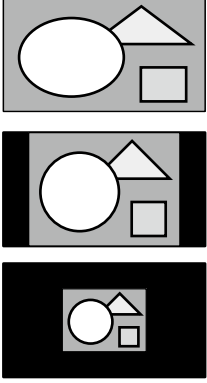
Function		Setting Value	Description
Advanced Settings	Overdrive	Enhanced Standard Off	This function allows you to set the overdrive intensity based on the use of the monitor. Image lag can be reduced by using the “Enhanced” setting when displaying moving images.
	Hue	-50 to 50	Adjust the hue. <b>Note</b> <ul style="list-style-type: none"> <li>Using this function may prevent some color gradations from being able to be displayed.</li> </ul>
	Saturation	-50 to 50	Adjust the color saturation. <b>Note</b> <ul style="list-style-type: none"> <li>Using this function may prevent some color gradations from being able to be displayed.</li> <li>The minimum value (-50) changes the screen to monochrome.</li> </ul>
	Gain	0 to 100	The brightness of each red, green, and blue color component is referred to as “Gain”. The hue of “white” can be changed by adjusting the gain. <b>Note</b> <ul style="list-style-type: none"> <li>Using this function may prevent some color gradations from being able to be displayed.</li> <li>The gain value changes according to the color temperature.</li> <li>When the gain is changed, the color temperature setting changes to “Off”.</li> </ul>
Reset		-	Reset any color adjustments for the currently selected color mode back to the default settings.

## ● Signal Settings

Set the details regarding input signal, such as the screen display size and color format.



Function	Setting Value	Description
Window Selection	Left Right Upper Left Lower Left Upper Right Lower Right Large Window Small Window	<p>Select the target for the signal settings.</p> <p>When using PbyP/PinP display, select this target first.</p> <ul style="list-style-type: none"> <li>• “Left” The setting is applied to the left screen in PbyP display (dual screen).</li> <li>• “Right” The setting is applied to the right screen in PbyP display (dual screen).</li> <li>• “Upper Left” The setting is applied to the upper left screen in PbyP display (quad screen).</li> <li>• “Lower Left” The setting is applied to the lower left screen in PbyP display (quad screen).</li> <li>• “Upper Right” The setting is applied to the upper right screen in PbyP display (quad screen).</li> <li>• “Lower Right” The setting is applied to the lower right screen in PbyP display (quad screen).</li> <li>• “Large Window” The setting is applied to the large window in PinP display.</li> <li>• “Small Window” The setting is applied to the small window in PinP display.</li> </ul> <p><b>Note</b></p> <ul style="list-style-type: none"> <li>• Enabled only during PbyP/PinP display.</li> <li>• For details on PbyP/PinP, see <a href="#">“2-2. Switching Input Signals” (page 15)</a>.</li> </ul>

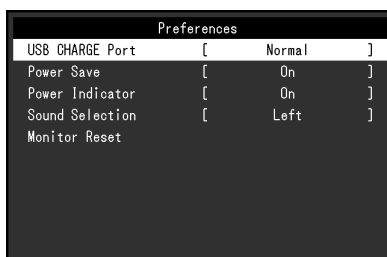
Function	Setting Value	Description
Picture Expansion	Auto *1 Full Screen Aspect Ratio Dot by Dot	<p>The screen size of the monitor display can be changed.</p> <ul style="list-style-type: none"> <li>• “Auto” The monitor automatically changes the screen size according to the aspect ratio and resolution information from the PC.</li> <li>• “Full Screen” Images are stretched to full screen. Since aspect ratios are not maintained, images may be distorted in some cases.</li> <li>• “Aspect Ratio” Images are enlarged to full screen without changing the aspect ratio. Since aspect ratios are maintained, blank horizontal or vertical borders may appear.</li> <li>• “Dot by Dot” Displays the image at the set resolution or size specified by the input signal.</li> </ul> <p><b>Note</b></p> <ul style="list-style-type: none"> <li>• Example settings <ul style="list-style-type: none"> <li>- Full Screen</li> <li>- Aspect Ratio</li> <li>- Dot by Dot (input signal)</li> </ul> </li> </ul>  <ul style="list-style-type: none"> <li>• During PinP display, the aspect ratio of the small window is fixed and therefore the display size of the window cannot be changed.</li> </ul>
Input Color Format	Auto YUV 4:2:2 *1 YUV 4:4:4 *1 YUV *2 RGB	<p>The color format of the input signal can be specified. Try changing this setting if colors are not displayed correctly.</p> <p><b>Note</b></p> <ul style="list-style-type: none"> <li>• This setting is required when a DVI device is connected to the monitor via the HDMI connector port using a DVI-HDMI conversion connector.</li> </ul>
Input Range	Auto Full Limited	<p>Depending on the PC, black and white of the video level of the signal output to the monitor may be limited. If a limited signal is displayed on the monitor, black will appear faint and white will appear dull, leading to a reduction in contrast. The output range of such signals can be extended to match the actual contrast ratio of the monitor.</p> <ul style="list-style-type: none"> <li>• “Auto” Automatically identifies the brightness range of the input signal and displays the image accordingly.</li> <li>• “Full” Extension of the signal output range is not performed.</li> <li>• “Limited” Extends the signal output range through 0 to 255 and displays the image.</li> </ul>

\*1 Only enabled during HDMI input

\*2 Only enabled during DisplayPort input or USB-C input

## ● Preference Settings

The monitor's settings can be configured to suit the usage environment or personal preference.



Function	Setting Value	Description
USB CHARGE Port	Normal Charging Only	<p>The  USB downstream port of the monitor supports boost charging via USB 3.0. By changing this setting to “Charging Only”, the device connected to the  port can be charged in a shorter period of time than that which would be required when it is set to “Normal”.</p> <p><b>Note</b></p> <ul style="list-style-type: none"> <li>• Before changing this setting, terminate communication between the PC any USB devices connected to the monitor. All communication is temporarily interrupted when the setting is changed.</li> <li>• The device connected to the  port must support boost charging.</li> <li>• When this is set to “Charging Only”, data communication cannot be established between the device connected to the  port and the PC, and the device will not operate.</li> <li>• When this is set to “Charging Only”, charging is possible even when the monitor is not connected to the PC using a USB cable.</li> </ul>
Power Save	On Off	<p>The monitor can be set to enter power saving mode according to the state of the PC.</p> <p>The monitor changes to power saving mode about 15 seconds after signal input ceases to be detected.</p> <p>When the monitor has shifted to power saving mode, images are not displayed on the screen.</p> <ul style="list-style-type: none"> <li>• Exiting power saving mode <ul style="list-style-type: none"> <li>- If the monitor receives input, it automatically exits power saving mode and returns to the normal display mode.</li> </ul> </li> </ul> <p><b>Note</b></p> <ul style="list-style-type: none"> <li>• At the time of shifting to power saving mode, a message that indicates the transition is displayed 5 seconds in advance.</li> <li>• During PbyP/PinP display, the monitor only enters the power saving mode when signals are not input from all PCs.</li> <li>• When not using the monitor, you can turn off the main power supply or disconnect the power plug so that the power is cut completely.</li> <li>• When the monitor is in power saving mode, devices connected to the USB downstream port will still work. Therefore, power consumption of the monitor varies with connected devices even in power saving mode.</li> </ul>
Power Indicator	On Off	The power indicator (white) can be turned off in normal operation mode.

Function	Setting Value	Description
Sound Selection	Left Right Upper Left Lower Left Upper Right Lower Right Large Window Small Window	<p>Select the source of audio to output from the monitor during PbyP/PinP display.</p> <ul style="list-style-type: none"> <li>• “Left” Outputs the audio source from the left screen during PbyP display (dual screen).</li> <li>• “Right” Outputs the audio source from the right screen during PbyP display (dual screen).</li> <li>• “Upper Left” Outputs the audio source from the upper left screen during PbyP display (quad screen).</li> <li>• “Lower Left” Outputs the audio source from the lower left screen during PbyP display (quad screen).</li> <li>• “Upper Right” Outputs the audio source from the upper right screen during PbyP display (quad screen).</li> <li>• “Lower Right” Outputs the audio source from the lower right screen during PbyP display (quad screen).</li> <li>• “Large Window” Outputs the audio source from the large window during PinP display.</li> <li>• “Small Window” Outputs the audio source from the small window during PinP display.</li> </ul> <p><b>Note</b></p> <ul style="list-style-type: none"> <li>• Enabled only during PbyP/PinP display.</li> <li>• For details on PbyP/PinP, see <a href="#">“2-2. Switching Input Signals” (page 15)</a>.</li> </ul>
Monitor Reset	-	<p>Restore all settings to their default values except for the following settings.</p> <ul style="list-style-type: none"> <li>• PbyP/PinP Picture Setup</li> <li>• Settings on the “Administrator Settings” menu</li> </ul>

## ● Language

The display language for menus and messages can be selected.

### Setting Value

English, German, French, Spanish, Italian, Swedish, Japanese, Simplified Chinese, Traditional Chinese



### Attention

- The display language of the “Administrator Settings” menu cannot be changed.

## ● Information

Monitor information (product name, serial number, usage time, resolution, and input signal) can be checked.

Example: • Single screen display

```

Information (DisplayPort)
FlexScan EV**** S/N: 00000001
Version          00000-00000-00000
Usage Time (h)   0
Input Signal     ****x****
                 fH: **. *kHz
                 fV: **. * Hz
                 fD: ***. *MHz
    
```

• Dual PbyP/PinP display

```

Information
FlexScan ***** S/N: 00000001
Version          00000-00000-00000
Usage Time (h)   0
    
```

USB-C	DisplayPort
****x****	****x****
fH:***. *kHz	fH:***. *kHz
fV: **. * Hz	fV: **. * Hz
fD:***. *MHz	fD:***. *MHz

• Quad PbyP display

```

Information
FlexScan ***** S/N: 00000001
Version          00000-00000-00000
Usage Time (h)   0
    
```

USB-C	DisplayPort
****x****	****x****
fH:***. *kHz	fH:***. *kHz
fV: **. * Hz	fV: **. * Hz
fD:***. *MHz	fD:***. *MHz



HDMI 1	HDMI 2
****	****
fH:***. *kHz	fH:***. *kHz
fV: **. * Hz	fV: **. * Hz
fD:***. *MHz	fD:***. *MHz

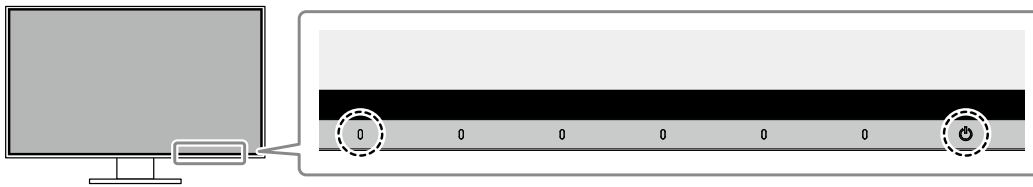
# Chapter 4 Administrator Settings

This chapter describes how to configure monitor operation using the “Administrator Settings” menu. This menu is for administrators. Configuration on this menu is not required for normal monitor use.

## 4-1. Basic Operation of the “Administrator Settings” Menu

### 1. Menu display




1. Touch  to turn off the monitor.
2. While touching the leftmost switch, touch  for more than 2 seconds to turn on the monitor.



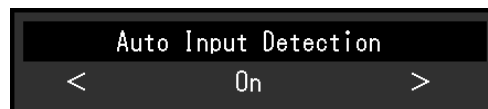
The “Administrator Settings” menu appears.

Administrator Settings		
Auto Input Detection	[	Off ]
Compatibility Mode	[	Off ]
USB-C	[	4K UHD 30Hz / USB3.1 ]
DisplayPort	[	Version 1.1 ]
HDMI 1	[	4K UHD 60Hz ]
HDMI 2	[	4K UHD 30Hz ]
On-Screen Logo	[	On ]
Key Lock	[	Off ]
Apply		

### 2. Setting

1. Select an item to set with   and select .

The Adjustment / Setting menu appears.



2. Set with   and select .

The “Administrator Settings” menu appears.

### 3. Applying and exiting

1. Select “Apply” and then .


The settings are applied and the “Administrator Settings” menu exits.

#### Attention


- The language (English) of the “Administrator Settings” menu cannot be changed.

## 4-2. Functions of the “Administrator Settings” Menu

Administrator Settings		
Auto Input Detection	[	Off ]
Compatibility Mode	[	Off ]
USB-C	[	4K UHD 30Hz / USB3.1 ]
DisplayPort	[	Version 1.1 ]
HDMI 1	[	4K UHD 60Hz ]
HDMI 2	[	4K UHD 30Hz ]
On-Screen Logo	[	On ]
Key Lock	[	Off ]
Apply		


Function	Setting Value	Description
Auto Input Detection	On Off	<p>This function automatically recognizes the connector through which PC signals are input, and displays images on the screen accordingly.</p> <ul style="list-style-type: none"> <li>• “On” When the monitor is connected to multiple PCs, if a specific PC enters power saving mode or no signals are input to the monitor, the connector is automatically changed to another one to which signals are input.</li> <li>• “Off” This function displays the signal from the selected connector regardless of whether a signal is input or not. In this case, you can select the input signal to display using the  operation switch on the front of the monitor. For details, see “2-2. Switching Input Signals” (page 15).</li> </ul> <p><b>Note</b></p> <ul style="list-style-type: none"> <li>• This function is not available during PbyP/PinP display.</li> <li>• This product automatically recognizes the connector through which PC signals are input, and displays images on the screen accordingly regardless of whether this function is set to On or Off just after the main power switch on the rear side of the monitor has been turned on.</li> <li>• When this function is set to “On”, the monitor only enters the power saving mode when signals are not input from any PC.</li> </ul>
Compatibility Mode	On Off	<p>If you want to avoid the following phenomena, set this function to “On”.</p> <ul style="list-style-type: none"> <li>• The positions of windows and icons are shifted when the monitor is turned off / on or has returned from the power saving mode.</li> <li>• Power Save function of the PC does not work normally.</li> <li>• During USB-C input, the screen blinks two or three times immediately after the USB cable has been connected or the PC has returned from the Power Save mode.</li> <li>• When the power to the monitor is turned off, a device connected to the USB downstream port does not work.</li> <li>• When the monitor is turned off, a device connected via a USB-C connector cannot be recharged.</li> </ul>
USB-C	4K UHD 60Hz / USB2.0 4K UHD 30Hz / USB3.1	The USB setting and the types of signals that the monitor can display can be changed.
DisplayPort	Version 1.1 Version 1.2	The types of signals that the monitor can display can be changed.



Function	Setting Value	Description
HDMI 1	4K UHD 60Hz 4K UHD 30Hz	The types of signals that the monitor can display can be changed. <b>Note</b> <ul style="list-style-type: none"> <li>If the HDMI signal that is being input is not displayed, change this setting.</li> </ul>
HDMI 2	4K UHD 60Hz 4K UHD 30Hz	The types of signals that the monitor can display can be changed. <b>Note</b> <ul style="list-style-type: none"> <li>If the HDMI signal that is being input is not displayed, change this setting.</li> </ul>
On-Screen Logo	On Off	When the monitor is turned on, the EIZO logo appears on the screen. When this function is set to "Off", the EIZO logo does not appear.
Key Lock	Off Menu All	In order to prevent changes to settings, the operation switches on the front of the monitor can be locked. <ul style="list-style-type: none"> <li>"Off" (default setting) Enables all switches.</li> <li>"Menu" Locks the  switch.</li> <li>"All" Locks all switches except the power switch.</li> </ul>

# Chapter 5 Troubleshooting

## 5-1. No Picture

Problem	Possible cause and remedy
<p><b>1. No picture</b></p> <ul style="list-style-type: none"> <li>Power indicator does not light up.</li> </ul>	<ul style="list-style-type: none"> <li>Check whether the power cord is connected properly.</li> <li>Turn on the main power switch on the rear side of the monitor.</li> <li>Touch .</li> <li>Turn off the main power switch on the rear side of the monitor, and then turn it on again a few minutes later.</li> </ul>
<ul style="list-style-type: none"> <li>Power indicator is lighting white.</li> </ul>	<ul style="list-style-type: none"> <li>Increase “Brightness”, “Contrast”, or “Gain” in the Setting menu (see <a href="#">“Color Adjustment” (page 23)</a>).</li> </ul>
<ul style="list-style-type: none"> <li>Power indicator is lighting orange.</li> </ul>	<ul style="list-style-type: none"> <li>Switch the input signal.</li> <li>Turn the setting “On” for “Compatibility Mode” on the “Administrator Settings” menu (see <a href="#">“Compatibility Mode” (page 32)</a>).</li> <li>Move the mouse or press any key on the keyboard.</li> <li>Check whether the PC is turned on.</li> <li>Turn off the main power switch on the rear side of the monitor, and then turn it on again.</li> </ul>
<ul style="list-style-type: none"> <li>Power indicator is flashing orange and white.</li> </ul>	<ul style="list-style-type: none"> <li>This symptom may occur during DisplayPort input.               <ul style="list-style-type: none"> <li>Use a signal cable recommended by us for the connection. Turn the monitor off and on.</li> </ul> </li> <li>This symptom may occur during USB-C input.               <ul style="list-style-type: none"> <li>Disconnect and connect the USB cable that is plugged in to the upstream port (USB-C).</li> <li>Turn off the main power switch on the rear side of the monitor, and then turn it on again.</li> </ul> </li> </ul>
<p><b>2. The message below appears.</b></p>	<p>This message appears when the signal is not input correctly even though the monitor is functioning properly.</p>
<ul style="list-style-type: none"> <li>This message appears when no signal is input. Example:</li> </ul> <div data-bbox="279 1299 555 1400" style="background-color: #333; color: white; padding: 5px; text-align: center;">       DisplayPort No Signal     </div>	<ul style="list-style-type: none"> <li>The message shown left may appear, because some PCs do not output the signal immediately after power-on.</li> <li>Check whether the PC is turned on.</li> <li>Check whether the signal cable is connected properly.</li> <li>Switch the input signal.</li> <li>Turn off the main power switch on the rear side of the monitor, and then turn it on again.</li> </ul>
<ul style="list-style-type: none"> <li>The message shows that the input signal is out of the specified frequency range. Example:</li> </ul> <div data-bbox="263 1556 566 1668" style="background-color: #333; color: white; padding: 5px; text-align: center;">       DisplayPort Signal Error     </div>	<ul style="list-style-type: none"> <li>Check whether the PC is configured to meet the resolution and vertical scan frequency requirements of the monitor (see <a href="#">“1-3. Supported Resolutions” (page 10)</a>).</li> <li>Reboot the PC.</li> <li>Select an appropriate setting using the graphics board’s utility. Refer to the User’s Manual of the graphics board for details.</li> </ul>
<ul style="list-style-type: none"> <li>This message shows that a device that is not compatible with DP Alt Mode is connected to the USB-C connector. Example:</li> </ul> <div data-bbox="263 1854 566 1960" style="background-color: #333; color: white; padding: 5px; text-align: center;">       USB-C DP Unsupported     </div>	<ul style="list-style-type: none"> <li>Check whether a signal cable recommended by us is used.</li> <li>Check whether the connected device is compatible with DP Alt Mode. Contact the device manufacturer for information about compatibility with DP Alt Mode.</li> <li>Please connect it via a DisplayPort cable or HDMI cable.</li> </ul>

## 5-2. Imaging Problems

Problem	Possible cause and remedy
1. The screen is too bright or too dark.	<ul style="list-style-type: none"> <li>• Use “Brightness” or “Contrast” in the Setting menu to adjust it (see <a href="#">“Color Adjustment” (page 23)</a>). (The LCD monitor backlight has a limited life span. If the screen becomes dark or begins to flicker, contact your local EIZO representative.)</li> <li>• If the screen is too bright, try changing the Auto EcoView setting to “On”. The monitor detects the ambient brightness to adjust the screen brightness automatically (see <a href="#">“Auto EcoView” (page 20)</a>).</li> </ul>
2. Brightness cannot be changed or it changes on its own.	<ul style="list-style-type: none"> <li>• Try changing the Auto EcoView setting to “Off” (see <a href="#">“Auto EcoView” (page 20)</a>).</li> </ul>
3. Text is blurred.	<ul style="list-style-type: none"> <li>• Check whether the PC is configured to meet the resolution and vertical scan frequency requirements of the monitor (see <a href="#">“1-3. Supported Resolutions” (page 10)</a>).</li> </ul>
4. Afterimages appear.	<ul style="list-style-type: none"> <li>• Afterimages are particular to LCD monitors. Avoid displaying the same image for a long time.</li> <li>• Use the screen saver or power saving function to avoid displaying the same image for extended periods of time. Depending on the image, an afterimage may appear even if it was displayed for a short period of time. To remove such a phenomenon, change the image or keep the power turned off for several hours.</li> </ul>
5. Green / red / blue / white / dark dots remain on the screen.	<ul style="list-style-type: none"> <li>• This is due to LCD panel characteristics and not a malfunction.</li> </ul>
6. Interference patterns or pressure marks remain on the screen.	<ul style="list-style-type: none"> <li>• Leave the monitor with a white or black screen. The symptom may disappear.</li> </ul>
7. Noise appears on the screen.	<ul style="list-style-type: none"> <li>• In the Setting menu, set “Overdrive” to “Off” (see <a href="#">“Overdrive” (page 25)</a>).</li> <li>• When inputting HDCP system signals, normal images may not be displayed immediately.</li> </ul>
8. The positions of windows and icons are shifted when the monitor is turned off / on or when restored from power saving mode.	<ul style="list-style-type: none"> <li>• Turn the setting “On” for “Compatibility Mode” on the “Administrator Settings” menu (see <a href="#">“Compatibility Mode” (page 32)</a>).</li> </ul>
9. The color shown on the screen is not correct.	<ul style="list-style-type: none"> <li>• Try changing “Input Color Format” in the Setting menu (see <a href="#">“Input Color Format” (page 27)</a>).</li> </ul>
10. Images are not displayed over the entire area of the screen.	<ul style="list-style-type: none"> <li>• Try changing “Picture Expansion” in the Setting menu (see <a href="#">“Picture Expansion” (page 27)</a>).</li> </ul>

## 5-3. Other Problems

Problem	Possible cause and remedy
1. The Setting menu does not appear.	<ul style="list-style-type: none"> <li>• Check whether the switch operation lock function is active (see “Key Lock” (page 33)).</li> </ul>
2. Cannot select items in the Settings menu.	<ul style="list-style-type: none"> <li>• Items that are displayed with gray text cannot be changed.</li> </ul>
3. No audio output.	<ul style="list-style-type: none"> <li>• Check whether volume is set to 0.</li> <li>• Check the PC and audio playback software to see whether they are configured correctly.</li> <li>• Check the “Sound Selection” setting during PbyP/PinP display (see “Sound Selection” (page 29)).</li> </ul>
4. USB devices connected to the monitor do not work.	<ul style="list-style-type: none"> <li>• Check whether the USB cable is correctly connected between the PC and the monitor (see “6-5. Using the USB Hub Function” (page 43)).</li> <li>• Check whether the USB CHARGE port is set correctly (see “USB CHARGE Port” (page 28)).</li> <li>• Check whether the USB cable is correctly connected between the peripheral and the monitor.</li> <li>• Try using a different USB port on the monitor.</li> <li>• Try using a different USB port on the PC.</li> <li>• Reboot the PC.</li> <li>• If the peripheral devices work correctly when they are directly connected to the PC, contact your local EIZO representative.</li> <li>• Depending on the USB 3.1 host controller that you are using, connected USB devices may not be recognized correctly. Update to the latest USB 3.1 driver provided by each manufacturer, or connect the monitor to the USB 2.0 port.</li> <li>• Check the PC’s BIOS setting for USB when using Windows. (Refer to the manual of the PC for details.)</li> </ul>
5. Power indicator is flashing orange and white.	<ul style="list-style-type: none"> <li>• This symptom may occur when the PC is connected to the DisplayPort connector. Use a signal cable recommended by us for the connection. Turn the monitor off and on.</li> <li>• Check the connection and condition of the USB devices connected to the monitor.</li> <li>• Turn off the main power switch on the rear side of the monitor, and then turn it on again.</li> </ul>
6. Power Save function of the PC does not work normally.	<ul style="list-style-type: none"> <li>• Turn the setting “On” for “Compatibility Mode” on the “Administrator Settings” menu (see “Compatibility Mode” (page 32)).</li> </ul>

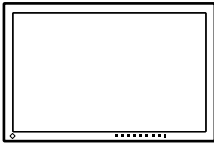
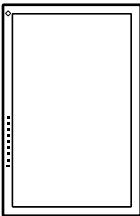
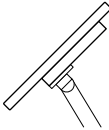
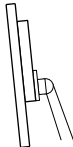
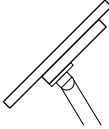
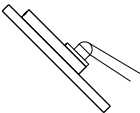
# Chapter 6 Reference

## 6-1. Attaching the Optional Arm

An optional arm (or an optional stand) can be attached by removing the stand section. Please refer to our web site for the supported optional arm (or optional stand). <http://www.eizoglobal.com>

**Attention**

- When attaching an arm or stand, follow the instructions of the respective User's Manual.
- When using another manufacturer's arm or stand, confirm the following in advance and select one conforming to the VESA standard. Use the VESA mounting screws supplied with this product when attaching the arm or stand.
  - Clearance between screw holes: 100 mm × 100 mm
  - VESA mount of the arm or stand, external dimensions: 122 mm x 122 mm or less
  - Plate thickness: 2.6 mm
  - Strong enough to support weight of the monitor unit (excluding the stand) and attachments such as cables.
- When attaching an arm or stand, the installable orientations and movement range (tilt angle) are as follows:

Orientation			
Movement range (tilt angle)	Without edge support	 Up: 45°	 Down: 5°
	With edge support	 Up: 45°	 Down: 45° *1

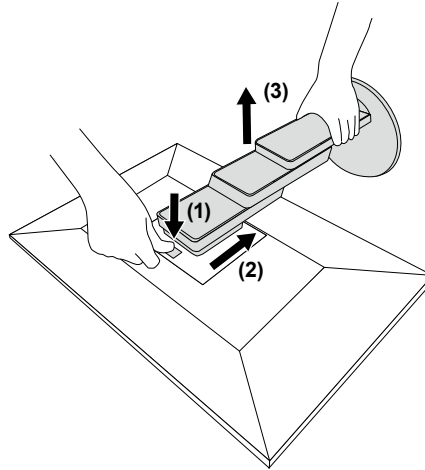
\*1 When installing at a downward angle of between 5° and 45°, the warranty is valid only if an edge support has been attached. Not using an edge support when installed in these positions may lead to the front panel of the monitor coming off.  
If you require an edge support, please contact the EIZO group company or distributor in your country or territory. [www.eizoglobal.com/contact/](http://www.eizoglobal.com/contact/)

- Connect the cables after attaching an arm or stand.
- Do not move the removed stand up and down. Doing so may result in injury or device damage.
- The monitor, arm, and stand are heavy. Dropping them may result in injury or equipment damage.

## ● Attaching the optional arm (or optional stand)

1. Lay the LCD monitor on a soft cloth spread over a stable and flat surface with the panel surface facing down.
2. Remove the stand.

As shown in the figure, while holding down the lock button (1), slide the stand toward the stand base (2). Then, lift the stand up (3).



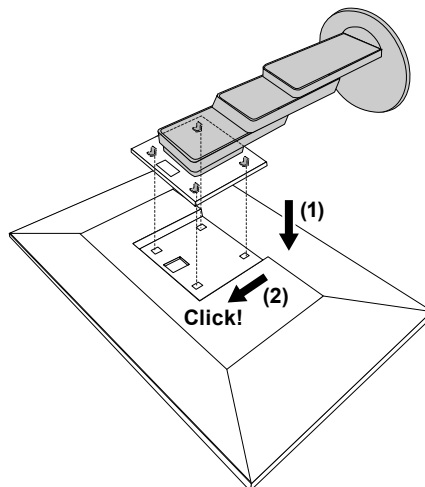
3. Attach the arm or stand to the monitor.

Use the VESA mounting screws supplied with this product when attaching the arm or stand.

## ● Attaching the original stand

1. Lay the LCD monitor on a soft cloth spread over a stable and flat surface with the panel surface facing down.
2. Remove the fixing screws on the optional arm (or optional stand), and detach the optional arm (or optional stand).
3. Attach the original stand.

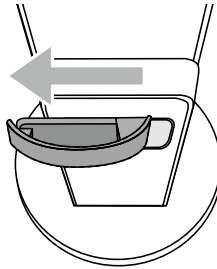
Insert the four tabs on the stand into the four holes on the back panel (1), and slide the stand towards the upper portion of the monitor (2). The stand clicks when it is attached correctly.



## 6-2. Detaching/Attaching the Cable Holder

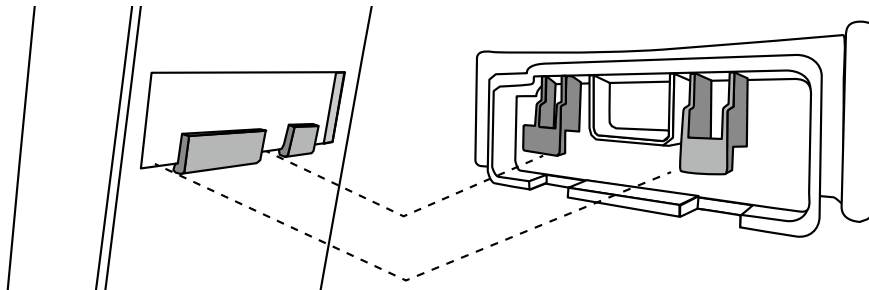
### ● Detaching the cable holder

1. Slide the cable holder to the left, and detach it from the stand.

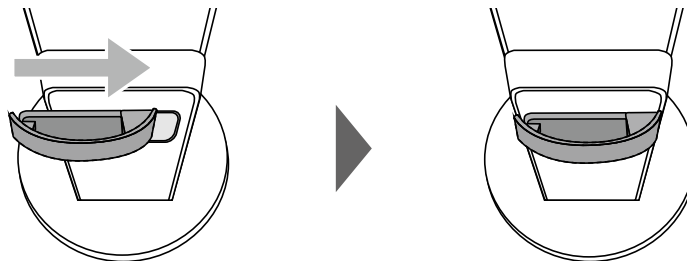


### ● Attaching the cable holder

1. Align the tabs of the cable holder with the attachment parts of the stand.

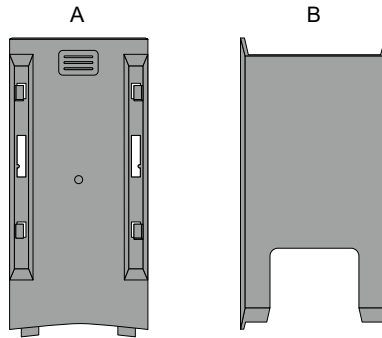


2. Slide the cable holder to the right, and attach it to the stand.

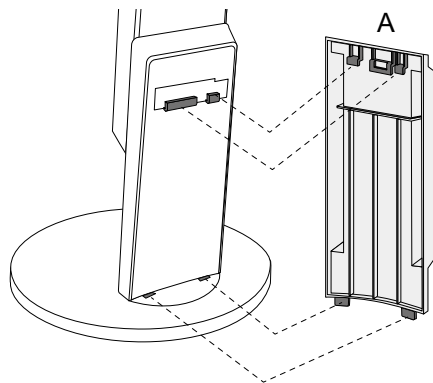


## 6-3. Detaching / Attaching the Cable Cover

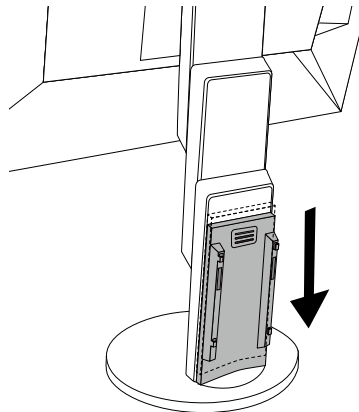
### ● Attaching the cable cover



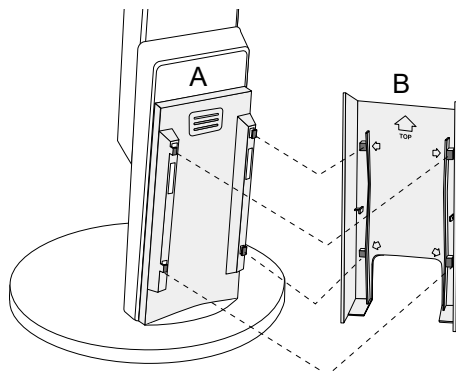
1. Align the tabs of (A) with the attachment parts of the stand.



2. Slide (A) downward to secure the tabs to the attachment parts of the stand.

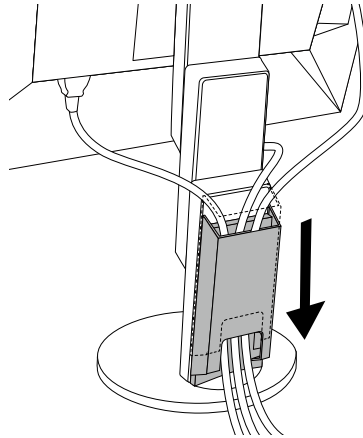


3. Check the tabs of (B) (four locations indicated by ◁ ▷) and the attachment locations of (A).



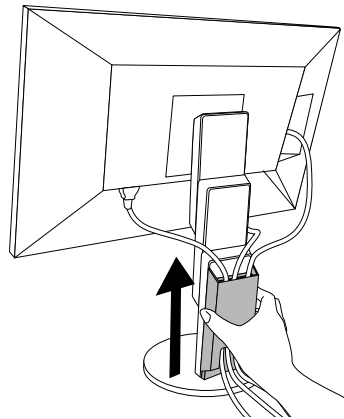



4. Pass the cables between (A) and (B), and align (B) with (A) to fit in.
5. Slide (B) downward and secure it to (A).

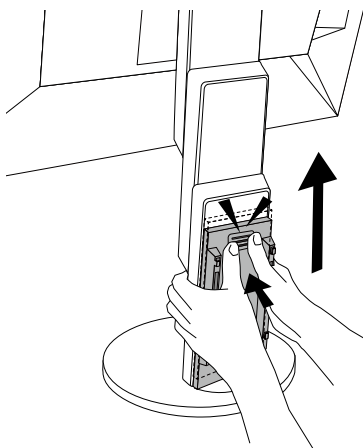


### ● Detaching the cable cover

1. Slide (B) upward, and detach it from (A).



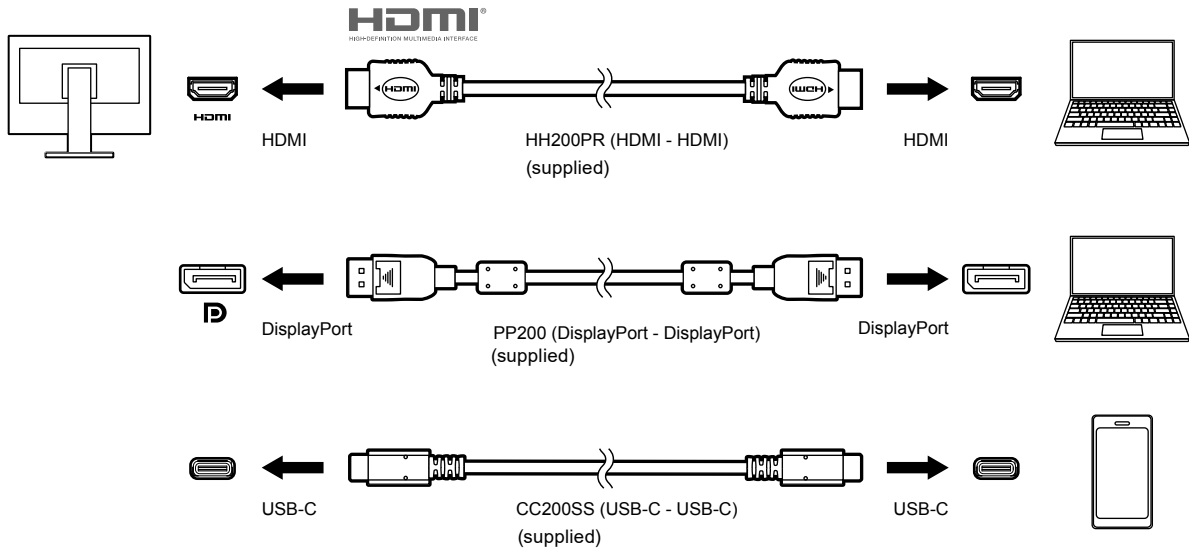
2. While holding down  of (A) lightly, slide (A) upward to detach it from the stand.




## 6-4. Connecting Multiple PCs

This product can be connected to multiple PCs and allows you to switch between the connections for display.

### ● Connection examples



#### Note

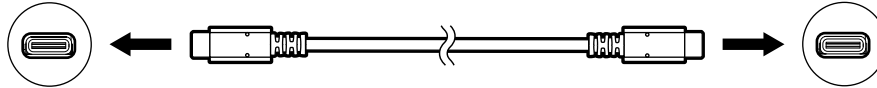
- You can select the input signal to display using the  operation switch on the front of the monitor. For details, see [“2-2. Switching Input Signals” \(page 15\)](#).
- This product provides a function that automatically recognizes the connector through which PC signals are input, and displays images on the screen accordingly. For details, see [“Auto Input Detection” \(page 32\)](#).

## 6-5. Using the USB Hub Function

This monitor is equipped with a USB hub. It functions as a USB hub when connected to a USB-compatible PC, allowing the connection of peripheral USB devices.

### ● Connection procedure

1. Connect the USB cable between the USB-C connectors of the PC and the monitor.



2. Connect a peripheral USB device to the USB downstream port of the monitor.

---

#### Attention

- If your PC is not equipped with a USB-C connector, a USB-C to Type-A conversion cable is required. Connect the conversion cable between the USB downstream port of the PC and the USB-C connector of the monitor.
- When you change the setting of “Compatibility Mode” (page 32), remove any peripherals such as a USB memory device connected to the downstream port of the monitor.
- When the main power of the monitor is off, a device connected to the USB downstream port will not operate.
- When “Compatibility Mode” (page 32) is set to “Off” and the power to the monitor is turned off, a device connected to the USB downstream port will not work.

---



#### Note

- This product supports USB 3.1\*1. When connecting to peripheral devices that support USB 3.1, high-speed data communication is possible (however, only when the USB cable used to connect the PC and peripheral device is USB 3.1 compliant and “USB-C” in the “Administrator Settings” menu is set to “4K UHD 30Hz / USB3.1”) (page 32).

\*1 Only Gen1 5 Gbps is supported.

---

## 6-6. Specifications

LCD Panel	Type	IPS (Anti-Glare)
	Backlight	LED
	Size	80.0 cm (31.5 inch)
	Resolution	3840 dots x 2160 lines
	Display Size (H × V)	697.3 mm × 392.2 mm
	Pixel Pitch	0.182 mm
	Display Colors	8-bit colors: 16.77 million colors
	Viewing Angle (H / V, typical)	178° / 178°
	Response Time (typical)	Gray-to-gray: 14 ms (overdrive setting: Off) 5 ms (overdrive setting: Enhanced)
Video Signals	Input Terminals	DisplayPort (HDCP) × 1, HDMI (HDCP)*1 × 2, USB-C (HDCP) × 1
	Digital Scanning Frequency (H / V)	DisplayPort: 31 kHz to 134 kHz / 29 Hz to 31 Hz, 59 Hz to 61 Hz, 69 Hz to 71 Hz (at 720 × 400)
		HDMI: 31 kHz to 135 kHz / 29 Hz to 31 Hz, 49 Hz to 61 Hz, 69 Hz to 71 Hz (at 720 × 400)
		USB-C (DP Alt Mode): 31 kHz to 134 kHz / 29 Hz to 31 Hz, 59 Hz to 61 Hz, 69 Hz to 71 Hz (at 720 × 400)
	Frame Synchronization Mode	59.5 Hz to 60.5 Hz
	Max. Dot Clock	DisplayPort: 540 MHz
HDMI: 600 MHz		
USB-C (DP Alt Mode): 540 MHz		
USB	Port	Upstream port (USB-C) x 1 Downstream port (USB Type-A) x 2 (The  port supports boost charging)
	Standard	USB Specification Revision 3.1 <sup>2</sup> , Battery Charging Revision 1.2
	Communication Speed	5 Gbps (super), 480 Mbps (high), 12 Mbps (full), 1.5 Mbps (low)
	Supply Current	Downstream (USB Type-A): Max. 900 mA
		Downstream (USB Type-A,  port): Max. 1.5 A (Normal) Max. 2.1 A (Charging only)
Upstream (USB-C): Max. 60 W		
Audio	Audio Input Format	DisplayPort: 2ch linear PCM (32 kHz / 44.1 kHz / 48 kHz / 88.2 kHz / 96 kHz / 176.4 kHz / 192 kHz)
		USB-C (DP Alt Mode): 2ch linear PCM (32 kHz / 44.1 kHz / 48 kHz / 88.2 kHz / 96 kHz / 176.4 kHz / 192 kHz)
		HDMI: 2ch linear PCM (32 kHz / 44.1 kHz / 48 kHz / 88.2 kHz / 96 kHz / 176.4 kHz / 192 kHz)
	Speakers	1 W + +1 W
	Headphones	2 mW + +2 mW (32 Ω)
	Input Terminals	DisplayPort × 1, HDMI × 2, USB-C × 1 (each shared with video signal)
	Output Terminals	Stereo mini jack × 1

Power	Input	100 - 240 VAC $\pm$ 10 %, 50 / 60 Hz 1.65 A - 0.75 A
	Maximum Power Consumption	163 W or less
	Power Save Mode	0.5 W or less (no USB device connected, default settings)
	Standby Mode	0.5 W or less (no USB device connected, default settings)
Physical Specifications	Dimensions	717.4 mm $\times$ 396.1 mm to 591.1 mm $\times$ 253.4 mm to 287.8 mm (W $\times$ H $\times$ D) (Tilt: 35°)
		717.4 mm $\times$ 427.3 mm to 576.2 mm $\times$ 230 mm (W $\times$ H $\times$ D) (Tilt: 0°)
	Dimensions (Without Stand)	717.4 mm $\times$ 416.3 mm $\times$ 51.5 mm (W $\times$ H $\times$ D)
	Net Weight	Approx. 11 kg
	Net Weight (Without Stand)	Approx. 7.6 kg
	Height Adjustment Range	195 mm (Tilt: 35°) / 148.9 mm (Tilt: 0°)
	Tilt	Up 35°, down 5°
	Swivel	344°
Operating Environmental Requirements	Temperature	5 °C to 35 °C
	Humidity	20 % to 80 % R.H. (no condensation)
	Air Pressure	540 hPa to 1060 hPa
Transportation / Storage Environmental Requirements	Temperature	-20 °C to 60 °C
	Humidity	10 % to 90 % R.H. (no condensation)
	Air Pressure	200 hPa to 1060 hPa

\*1 HDMI CEC (or mutual control) is not supported.

\*2 Only Gen1 5 Gbps is supported.

## ● Accessories

For the latest information about accessories, refer to our web site. <http://www.eizoglobal.com>

# Appendix

## Trademark

The terms HDMI and HDMI High-Definition Multimedia Interface, and the HDMI Logo are trademarks or registered trademarks of HDMI Licensing, LLC in the United States and other countries.

The DisplayPort Compliance Logo and VESA are registered trademarks of the Video Electronics Standards Association.

The SuperSpeed USB Trident Logo is a registered trademark of USB Implementers Forum, Inc.



The USB Power Delivery Trident logos are trademarks of USB Implementers Forum, Inc.



DICOM is the registered trademark of the National Electrical Manufacturers Association for its standards publications relating to digital communications of medical information.

Kensington and Microsaver are registered trademarks of ACCO Brands Corporation.

Thunderbolt is a trademark of Intel Corporation in the United States and/or other countries.

Microsoft and Windows are registered trademarks of Microsoft Corporation in the United States and other countries.

Adobe is a registered trademark of Adobe Systems Incorporated in the United States and other countries.

Apple, macOS, Mac OS, OS X, Macintosh and ColorSync are registered trademarks of Apple Inc.

EIZO, the EIZO Logo, ColorEdge, CuratOR, DuraVision, FlexScan, FORIS, RadiCS, RadiForce, RadiNET, Raptor and ScreenManager are registered trademarks of EIZO Corporation in Japan and other countries.

ColorEdge Tablet Controller, ColorNavigator, EcoView NET, EIZO EasyPIX, EIZO Monitor Configurator, EIZO ScreenSlicer, G-Ignition, i•Sound, Quick Color Match, RadiLight, Re/Vue, Screen Administrator, Screen InStyle and UniColor Pro are trademarks of EIZO Corporation.

All other company and product names are trademarks or registered trademarks of their respective owners.

## License

The bitmap font used for this product is designed by Ricoh Industrial Solutions Inc.

## ENERGY STAR

As an ENERGY STAR Partner, EIZO Corporation has determined that this product meets the ENERGY STAR guidelines for energy efficiency.



# FCC Declaration of Conformity

For U.S.A., Canada Only

## FCC Declaration of Conformity

We, the Responsible Party

EIZO Inc.

5710 Warland Drive, Cypress, CA 90630

Phone: (562) 431-5011

declare that the product

Trade name: EIZO

Model: FlexScan EV3285

is in conformity with Part 15 of the FCC Rules. Operation of this product is subject to the following two conditions: (1) this device may not cause harmful interference, and (2) this device must accept any interference received, including interference that may cause undesired operation.

This equipment has been tested and found to comply with the limits for a Class B digital device, pursuant to Part 15 of the FCC Rules. These limits are designed to provide reasonable protection against harmful interference in a residential installation. This equipment generates, uses, and can radiate radio frequency energy and, if not installed and used in accordance with the instructions, may cause harmful interference to radio communications. However, there is no guarantee that interference will not occur in a particular installation. If this equipment does cause harmful interference to radio or television reception, which can be determined by turning the equipment off and on, the user is encouraged to try to correct the interference by one or more of the following measures.

- \* Reorient or relocate the receiving antenna.
- \* Increase the separation between the equipment and receiver.
- \* Connect the equipment into an outlet on a circuit different from that to which the receiver is connected.
- \* Consult the dealer or an experienced radio/TV technician for help.

Changes or modifications not expressly approved by the party responsible for compliance could void the user's authority to operate the equipment.

### Note

Use the attached specified cable below or EIZO signal cable with this monitor so as to keep interference within the limits of a Class B digital device.

- AC Cord
- Shielded Signal Cable (enclosed)

## Canadian Notice

This Class B information technology equipment complies with Canadian ICES-003.

Cet équipement informatique de classe B est conforme à la norme NMB-003 du Canada.

